



Do Not Enter
An 5/20/04

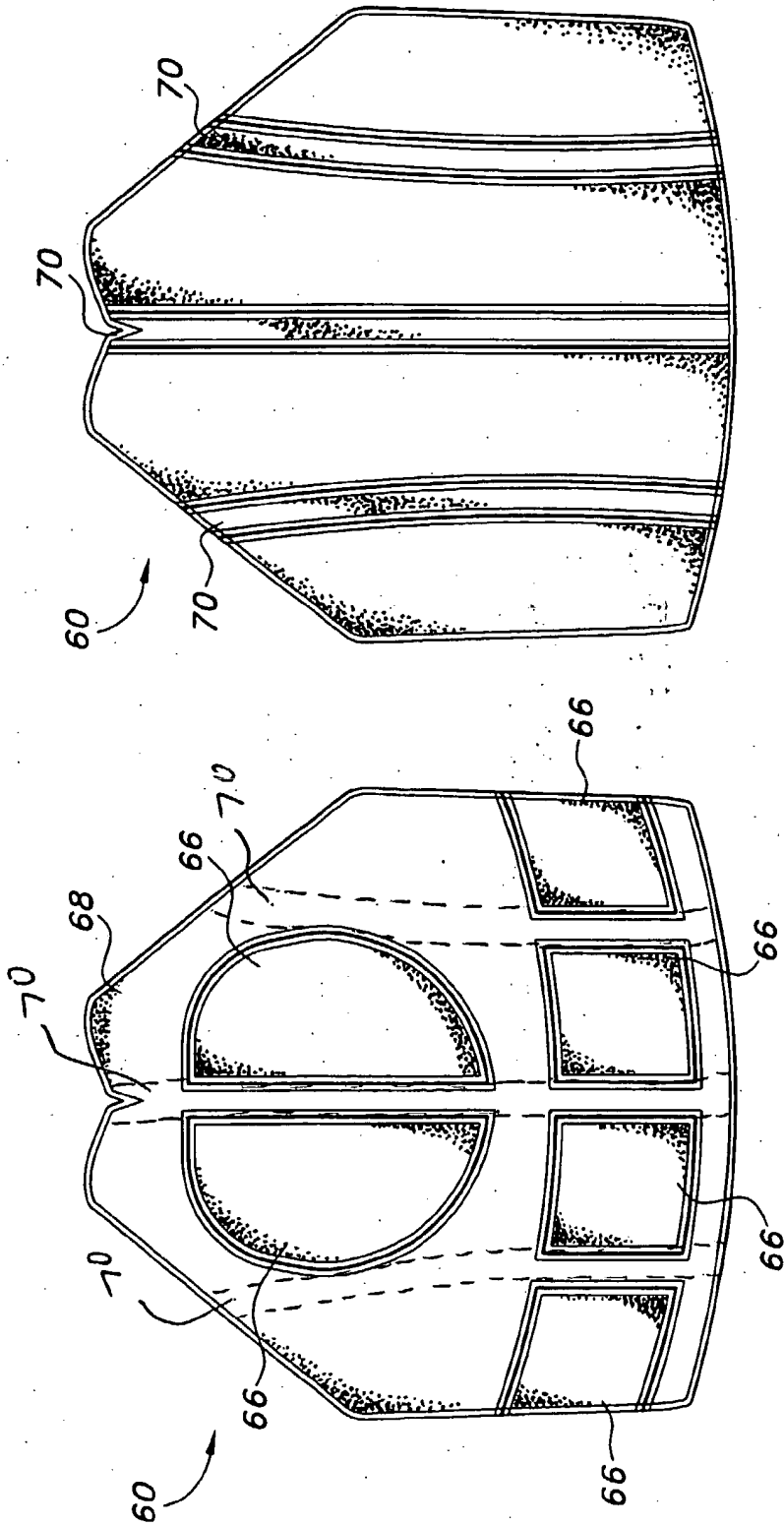
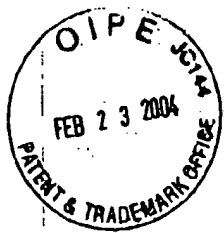


FIG 12B

FIG 12A



Do Not Enter
As 5/25/04

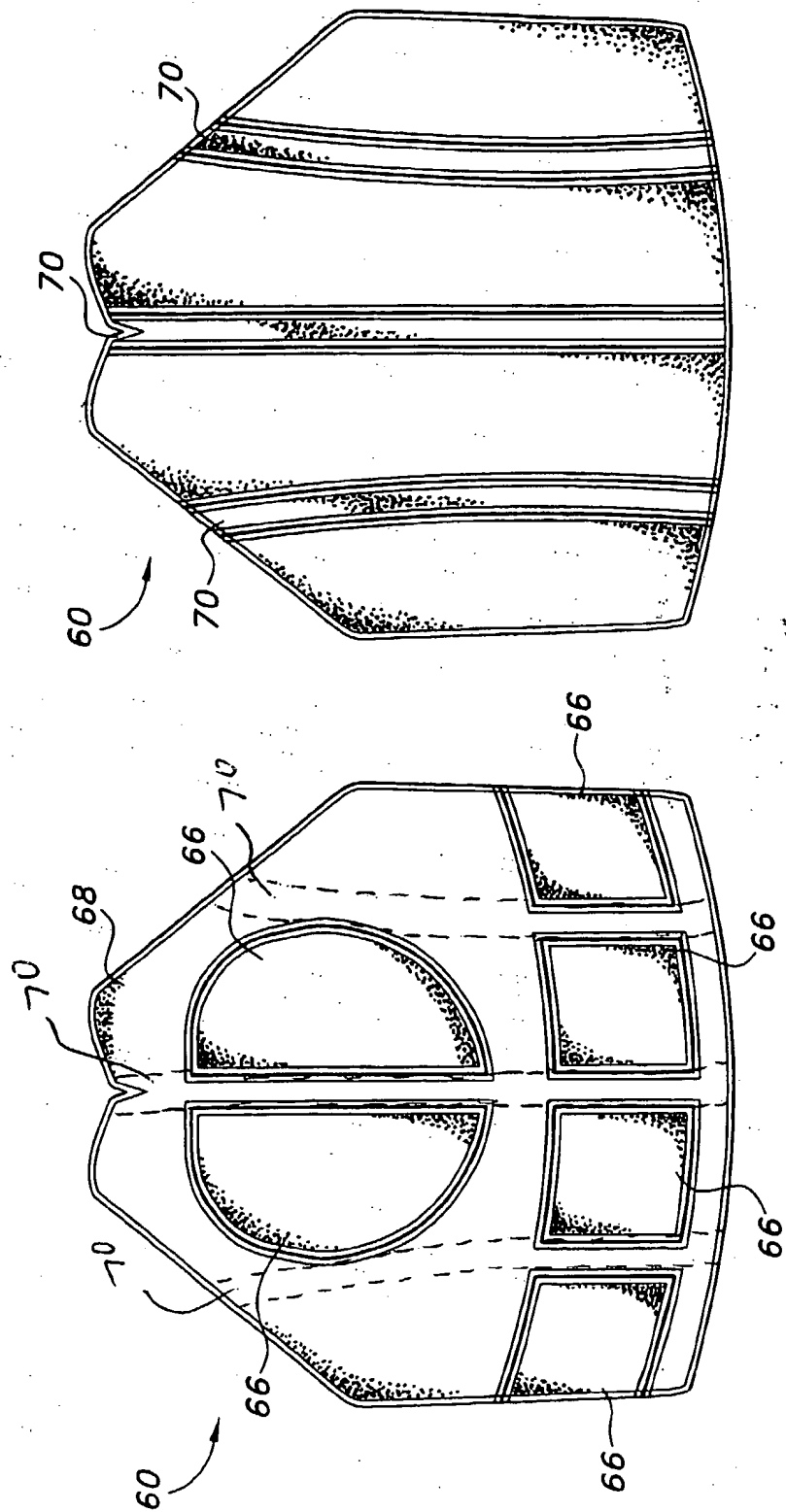


FIG 12B

FIG 12A

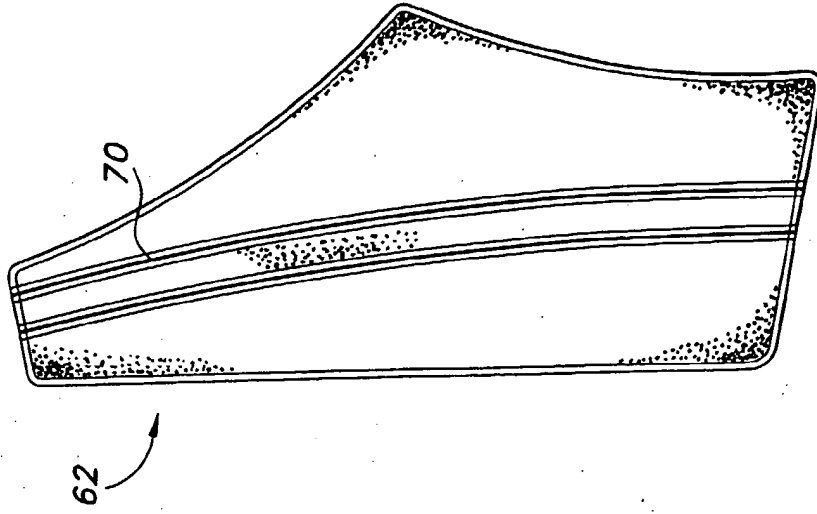


FIG 13B

Do Not Enter
As 5/20/04

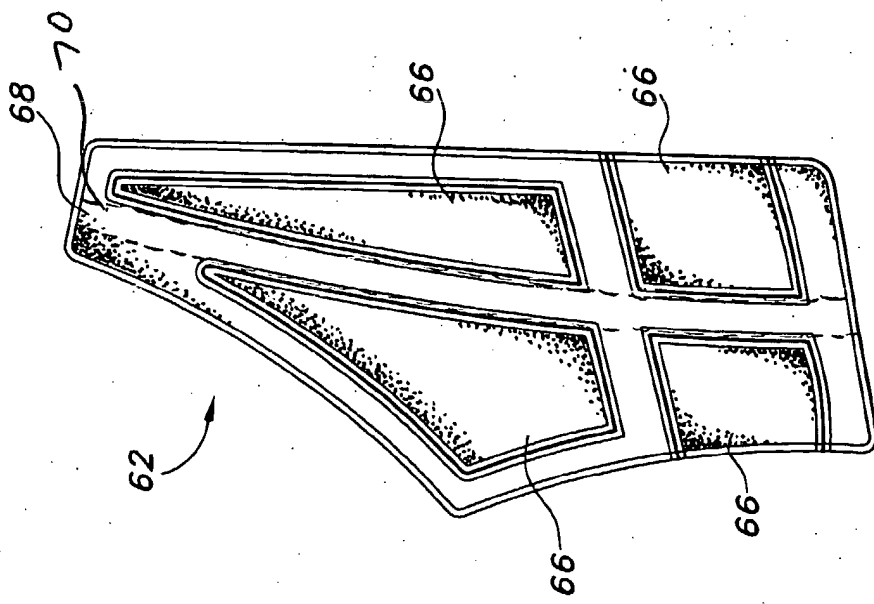


FIG 13A

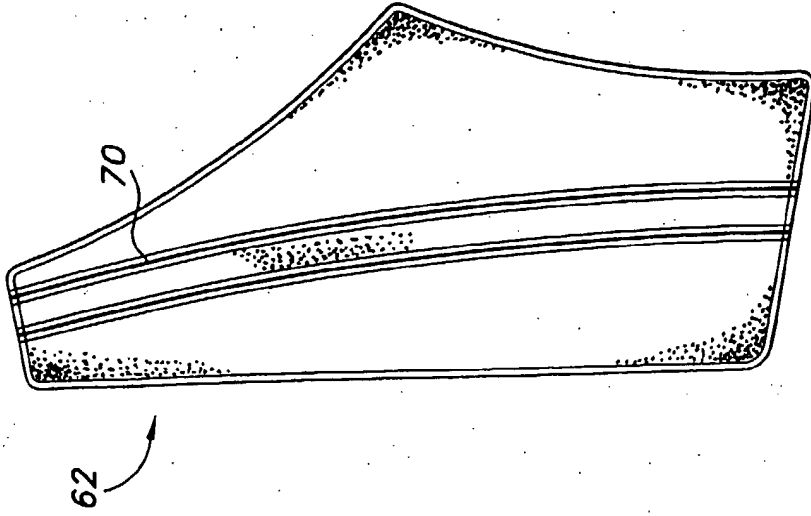


FIG 13B

Do Not Enter
Am 5/20/04

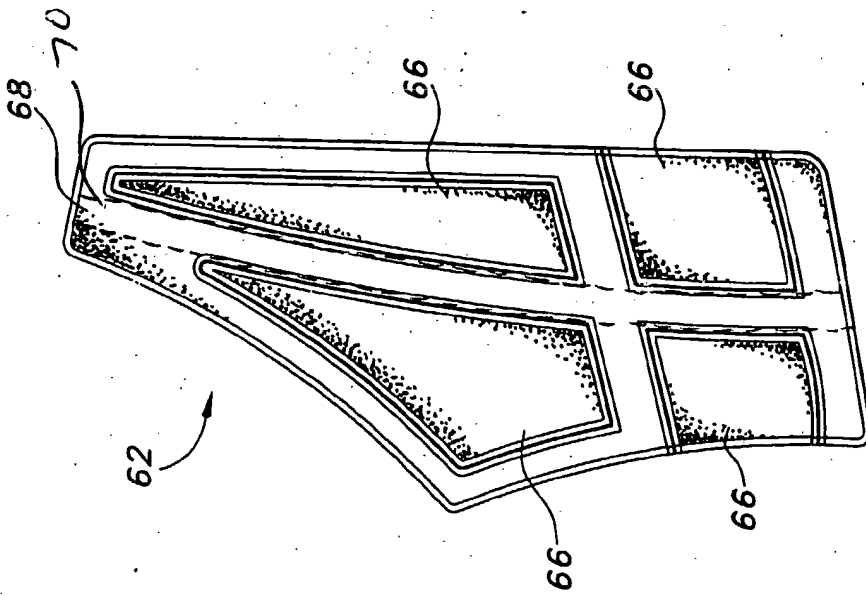


FIG 13A